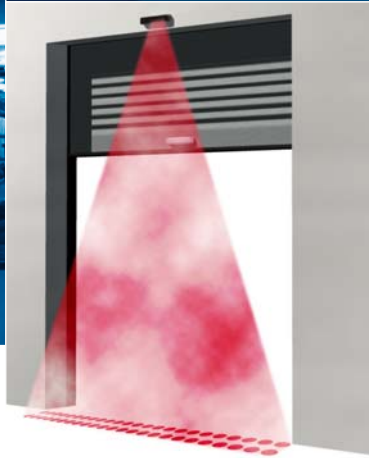


THE IRIS I INDUSTRIAL

Overhead safety for
small industrial doors.



Quality
Intelligence
Precision

Header-mounted safety utilizing active infrared technology.

Utilizes the most reliable technology for presence detection. Provides a curtain of protection.

Excellent Safety Solution For The Industrial Market

Can be used in conjunction with the Falcon for an activation and safety solution in an industrial setting. Includes a 30' cable to accommodate the size of an industrial door

Provides Safety Where It Is Needed Most

Provides safety throughout the door opening and door closing cycles through a precise curtain of safety for people or equipment stopped in the threshold.

Minimal Installation and Maintenance Required

Replaces the labor-intensive inductive loops with an easy-to-mount overhead installation. All adjustments executed through the BEA remote control. Ability to be mounted up to 13' when using the narrow lens with infinite learn time capability.

WWW.BEASENSORS.COM

A
HALMA GROUP
COMPANY



AAADM American Association of
Automatic Door Manufacturers

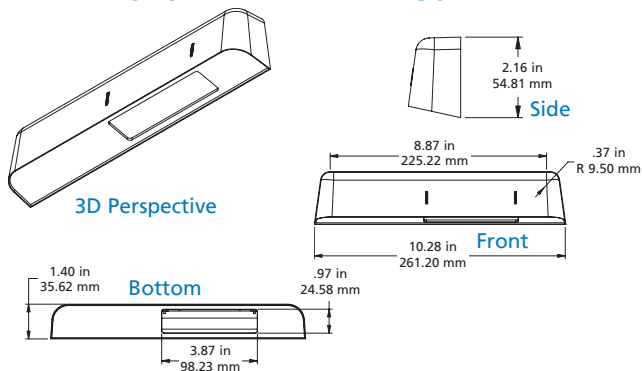
ARCAT

BEA
OPEN UP NEW HORIZONS

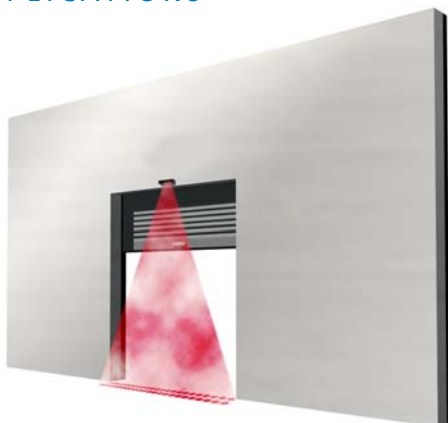
THE IRIS I INDUSTRIAL

Overhead safety for small industrial doors.

DIMENSIONAL DRAWINGS



APPLICATIONS



- Provides threshold safety up to 13' on small industrial doors.



- Provides optimal safety around the threshold of an automatic sliding door with 2 rows of 24 focused infrared spots.

TECHNICAL SPECS

Supply voltage
12V (-5%) to 24V (+10%) AC/DC

Mains frequency
50 - 60 Hz

Power consumption
< 3 W

Mounting height
6'8" TO 13'

2-color LED
RED (presence detection)
ORANGE (signal saturation, error)

Temperature range
-22°F to +131°F

Degree of protection
IP54

Norm conformity
EMC 89/336/EEC

Dimensions
10.3" (L) x 2.2"(H) x 1.43" (D)

Weight
8 oz.

Housing material
ABS + LURAN S

Minimum length of cable
30' (9 m) 9 conductor (10IRIS-I)

Range of Remote Control
16'

Detection mode
Presence

Response time
< 128ms

Technology
Focused active infrared and self-monitored microprocessor

Spot diameter (standard)
4" max

Number of spots
24 or 12 spots by curtain

Number of curtains
2

Detection field
(@ 7' Ht.)

Width Depth

Wide
6'6" 13.75"

Narrow
3'3" 13.75"

Angle
From - 4° to + 4° (adjustable)

Output specification Relay

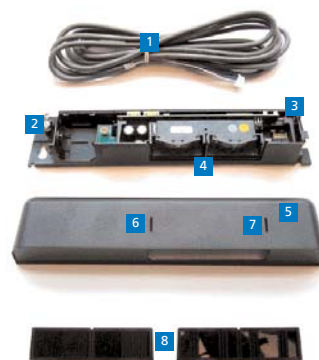
Max. contact voltage
42V AC/ DC

Max. contact current
1A (resistive)

Max. switching power
30W (DC) / 60VA (AC)

Output holdtime
1s (fixed)

COMPONENTS



- 1 Cable
- 2 Mounting Screws
- 3 Manual Set-up Push Buttons
- 4 Presence Sensor
- 5 Cover
- 6 LED Indicator
- 7 I.R. Remote Receiver
- 8 Front Lenses

RELATED PRODUCTS



Contact Information

BEA Inc.
RIDC Park West
100 Enterprise Drive
Pittsburgh PA, 15275
Phone +1.412.249.4100
Fax +1.888.523.2462
Toll Free 1-800.523.2462

BEA West
2401 Pine Street
Los Angeles, CA 91767
Phone +1.909.596.3011
Fax +1.909.596.5411
Toll Free 1-877.232.9378

BEA
OPEN UP NEW HORIZONS

A
HALMA GROUP
COMPANY